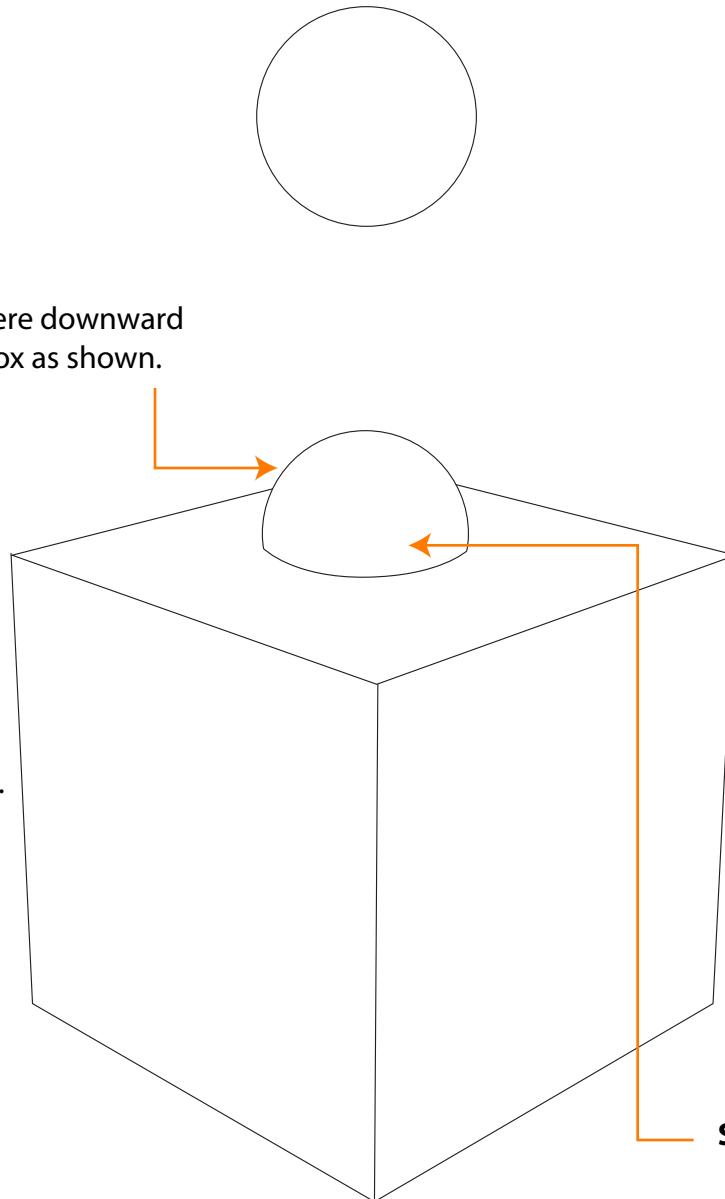


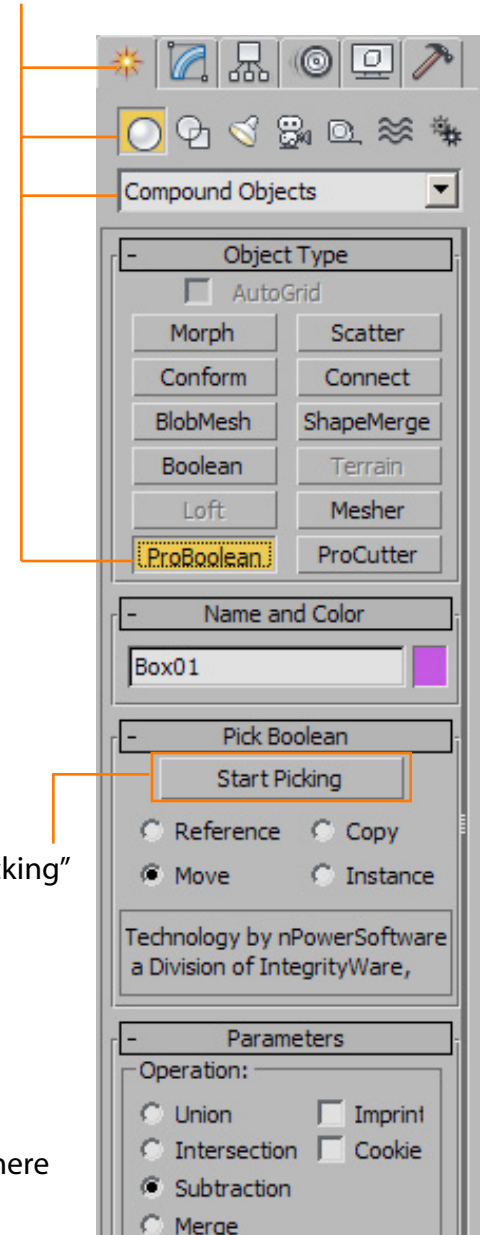
# ProBooleans and Buttons

**Step Four:** Move the first sphere downward to intersect the box as shown.



**Step Five:** Select the Box.

**Step Six:** Open the ProBoolean panel.



**Step Seven:** Click the "Start Picking" button.

**Step Eight:** Click on the sphere

Technology by nPowerSoftware  
 a Division of IntegrityWare,

**Parameters**  
 Operation:  
 Union  Imprint  
 Intersection  Cookie  
 Subtraction  
 Merge